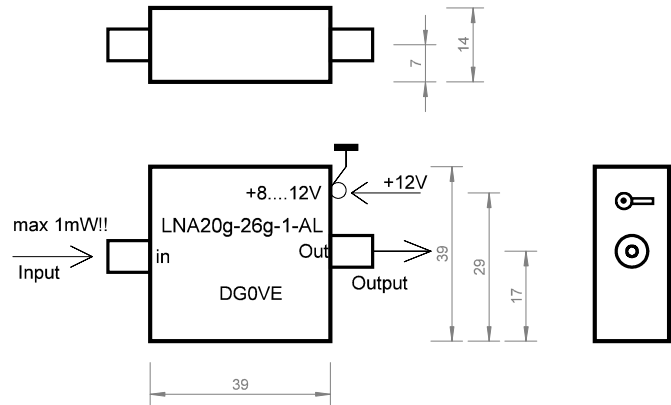
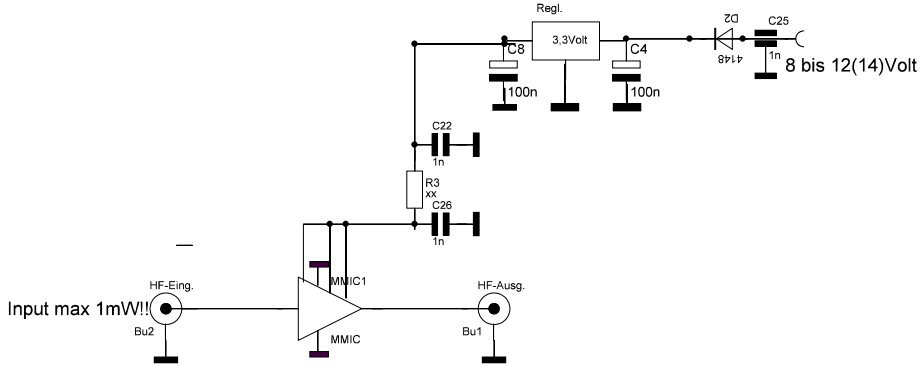


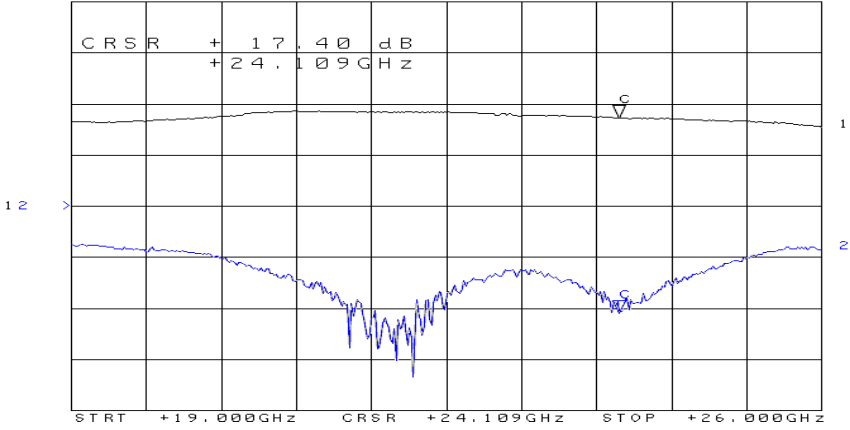
1



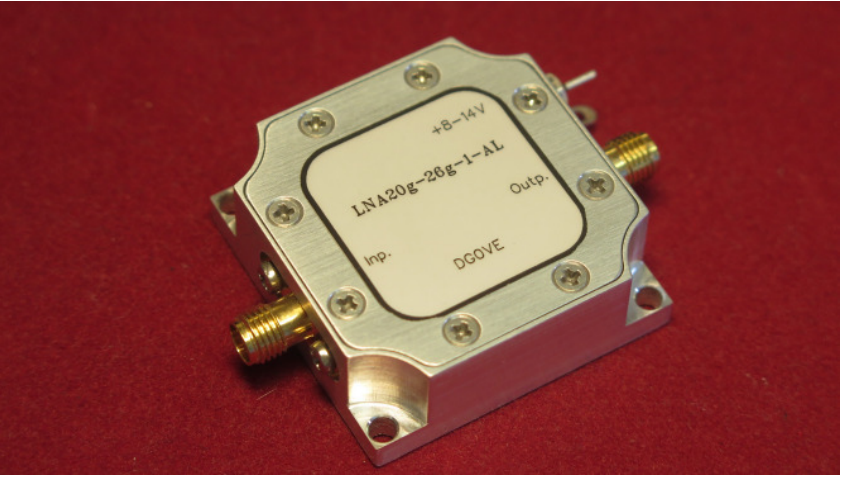
2



CH1: A 10.0 dB / -M REF + 17.40 dB  
 CH2: B 10.0 dB / -M REF - 20.91 dB



3



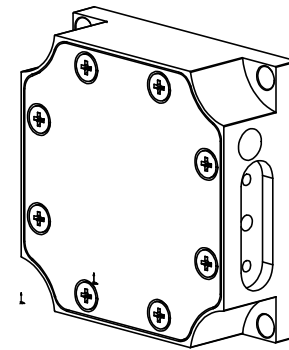
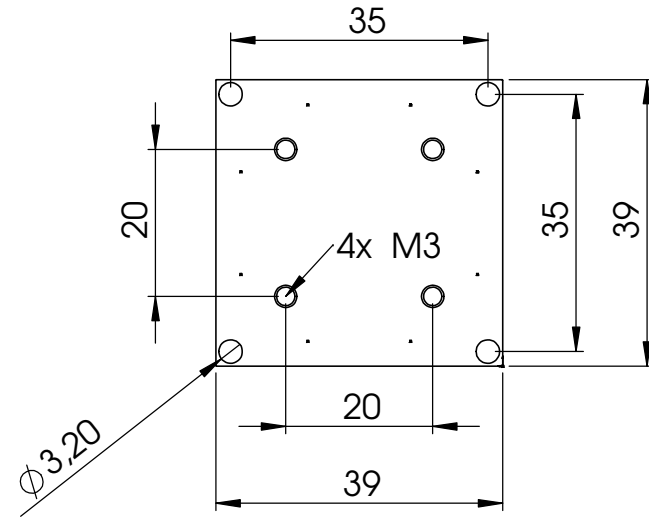
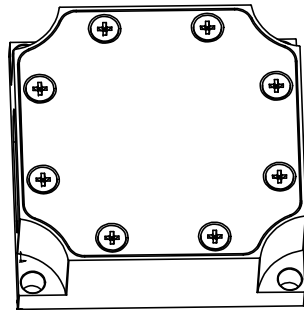
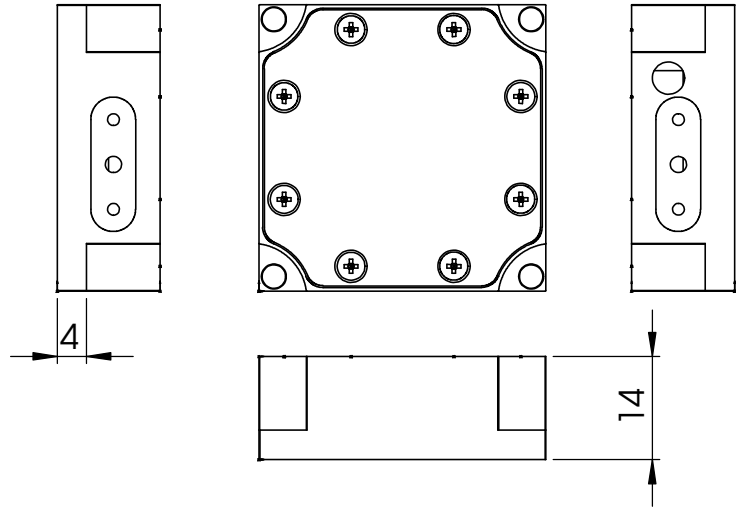
4

Technische Daten :

- Ib 70...85mA
- Pout >20mW (typ 22...25mW) @24GHz
- Gain: 14-17dB @20-26GHz
- NF: 2,4 - 2,8dB (max 3...3,5dB) @24GHz

Änderungen		Datum	Name	Bezeichnung	Blattzahl: 1
Datum	Name	gez.: 2/2018	Zech	LNA20g-26g-1-AL	Blatt-Nr.: 1
		gepr.:			
Irrtümer und Änderungen Vorbehalten !				Zeichnungs-Nr.: 1	

B



B

A

**PROPRIETARY AND CONFIDENTIAL**  
 THE INFORMATION CONTAINED IN THIS DRAWING IS THE SOLE PROPERTY OF <INSERT COMPANY NAME HERE>. ANY REPRODUCTION IN PART OR AS A WHOLE WITHOUT THE WRITTEN PERMISSION OF <INSERT COMPANY NAME HERE> IS PROHIBITED.

		UNLESS OTHERWISE SPECIFIED:		NAME	DATE	RZ-Elektronik	
		DIMENSIONS ARE IN INCHES	DRAWN	Zech	2/2018	TITLE:	
		TOLERANCES:	CHECKED			LNAGEH_39X39X14MM_BAUGRUPPE_2018	
		FRACTIONAL ±	ENG APPR.			SIZE	DWG. NO.
		ANGULAR: MACH ± BEND ±	MFG APPR.			<b>A</b>	REV
		TWO PLACE DECIMAL ±	Q.A.			SCALE: 2:1	
		THREE PLACE DECIMAL ±	COMMENTS:			SHEET 1 OF 1	
		INTERPRET GEOMETRIC TOLERANCING PER:					
		MATERIAL					
		AIMg2					
		FINISH					
NEXT ASSY	USED ON						
APPLICATION		DO NOT SCALE DRAWING					

2

1

A