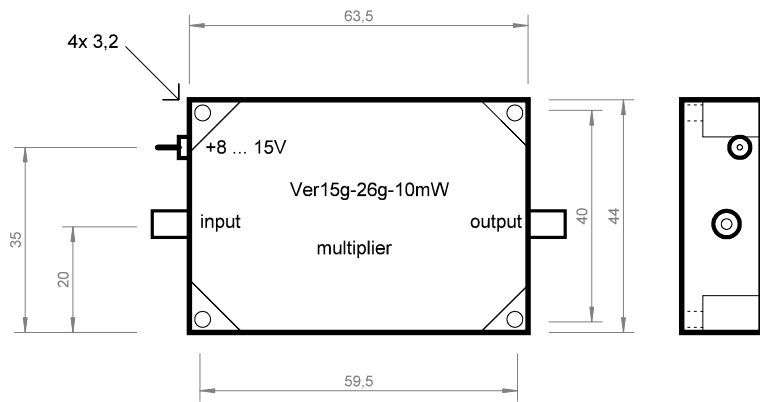
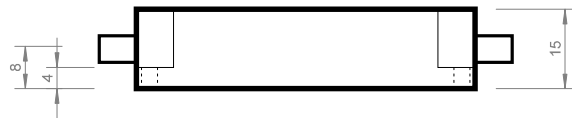


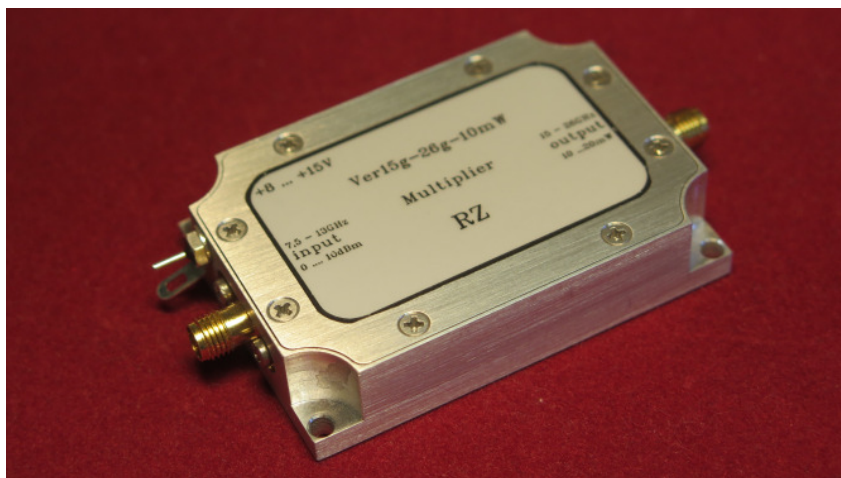
1



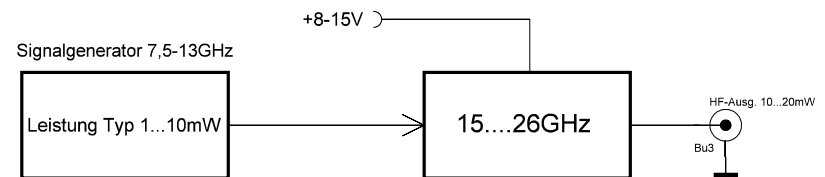
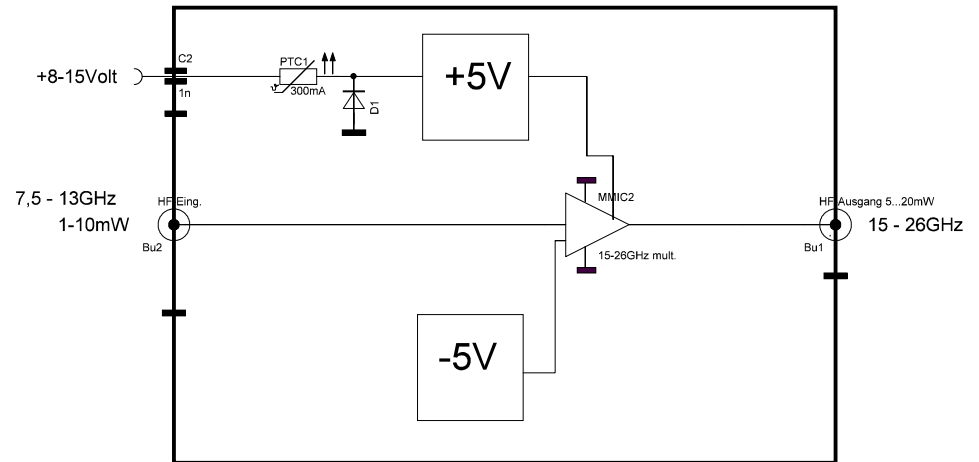
2



3



4



Technische Daten:

Ub 8-15V Ib 280 - 310mA
 Pin Typ. 1-10mW @7,5 - 13GHz
 Pout Typ. 10...20mW @ 15 - 26GHz
 Nebenwellen besser -10...-20dB

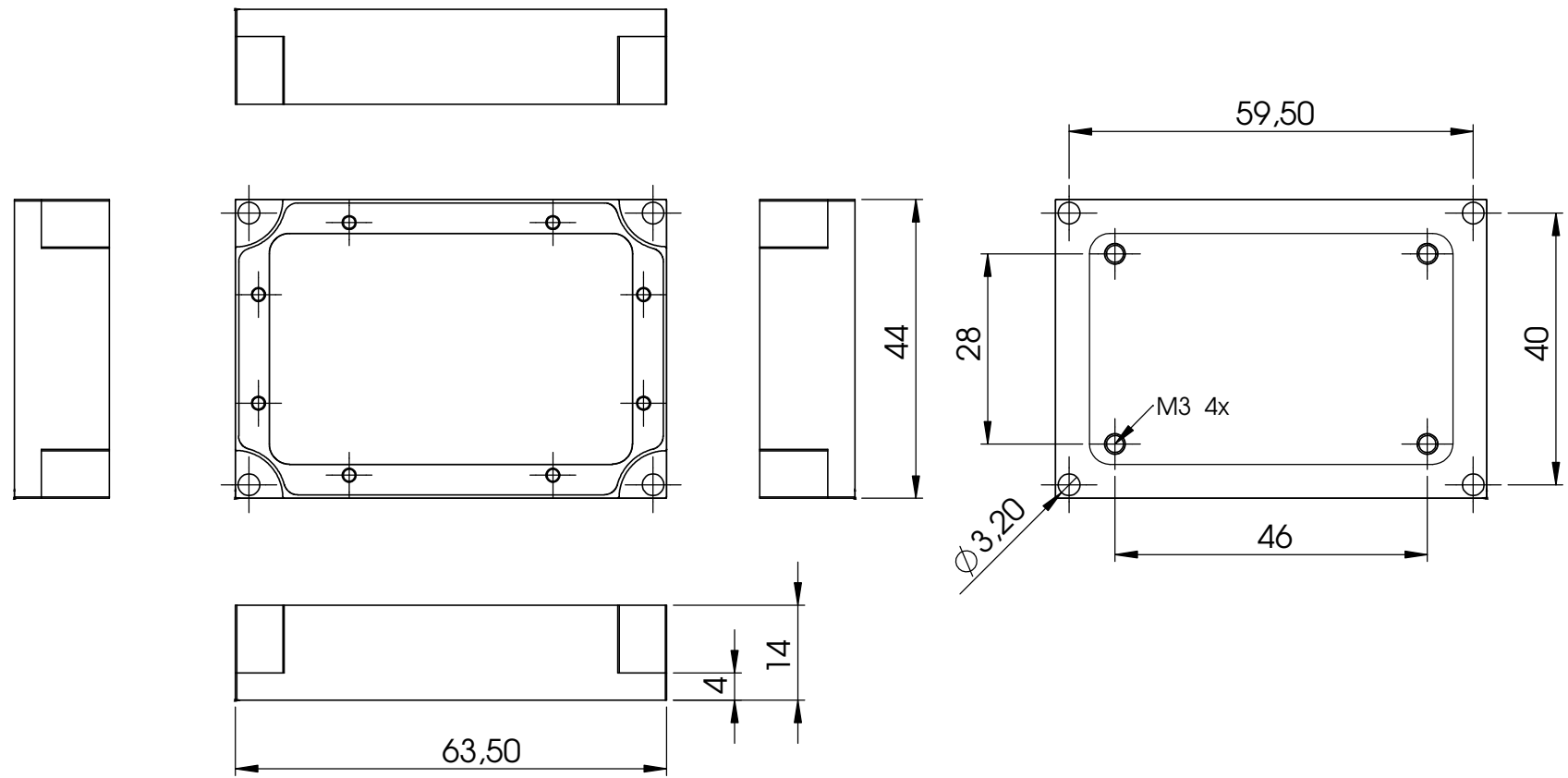
Änderungen		Datum	Name	Bezeichnung	Blattzahl: 1
Datum	Name	gez.: 9/ 2017	Zech	Ver15g-26g-10mW	Blatt-Nr.: 1
		gepr.:			
Irrtümer und Änderungen Vorbehalten !				Zeichnungs-Nr.: 1	

2

1

B

B



A

A

PROPRIETARY AND CONFIDENTIAL
 THE INFORMATION CONTAINED IN THIS DRAWING IS THE SOLE PROPERTY OF <INSERT COMPANY NAME HERE>. ANY REPRODUCTION IN PART OR AS A WHOLE WITHOUT THE WRITTEN PERMISSION OF <INSERT COMPANY NAME HERE> IS PROHIBITED.

		UNLESS OTHERWISE SPECIFIED:	NAME	DATE
		DIMENSIONS ARE IN INCHES	DRAWN	Zech
		TOLERANCES:	CHECKED	11/2017
		FRACTIONAL ±	ENG APPR.	
		ANGULAR: MACH ± BEND ±	MFG APPR.	
		TWO PLACE DECIMAL ±	Q.A.	
		THREE PLACE DECIMAL ±	COMMENTS:	
		INTERPRET GEOMETRIC TOLERANCING PER:		
		MATERIAL		
		AIMg2		
		FINISH		
NEXT ASSY	USED ON			
APPLICATION		DO NOT SCALE DRAWING		

RZ-Elektronik		
TITLE: VER15g-26g-10MmW		
SIZE	DWG. NO.	REV
A		
SCALE: 1:1		SHEET 1 OF 1

2

1